



PASS 3.6 A1



IAN: 71827 PASS 3.6 A1
Einhell Germany AG
Wiesenweg 22
D-94405 Landau/Isar

Last Information Update · Stanje informacija · Versiune informații
Състояние на информацията · Έκδοση των πληροφοριών
Stand der Informationen: 11/2011 Ident.-No.: 45.134.27 112011 - HR RO BG GR



CORDLESS SCREWDRIVER
Operation and Safety Notes
Original operating instructions

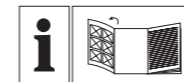
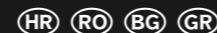
**MAȘINĂ DE ÎNSURUBAT TIP
PISTOL CU ACUMULATOR**
Indicații de siguranță și de folosire
Instrucțiuni de utilizare originale

ΚΑΤΣΑΒΙΔΙ ΜΠΑΤΑΡΙΑΣ
Υποδείξεις χειρισμού και ασφαλείας
Πρωτότυπος Οδηγός χρήσης

AKU-ŠTAPNI ODVIJAČ
Upute za posluživanje i za Vašu sigurnost
Originalne upute za uporabu

АКУМУЛАТОРЕН ВИНТОВЕРТ
Указания за обслужване и безопасност
Оригинална работна инструкция

AKKU-STABSCHRAUBER
Bedienungs- und Sicherheitshinweise
Originalbetriebsanleitung



GB CY

Before reading, unfold the page containing the illustrations and familiarise yourself with all functions of the device.

HR

Prije nego što pročitate tekst, otvorite stranicu sa slikama i upoznajte se na osnovu toga sa svim funkcijama uređaja.

RO

Înainte de a citi instrucțiunile, deschideți pagina cu figuri și apoi familiarizați-vă cu toate funcțiile aparatului.

BG

Преди прочита отворете страницата с изображенията и се запознайте след това с всички функции на уреда.

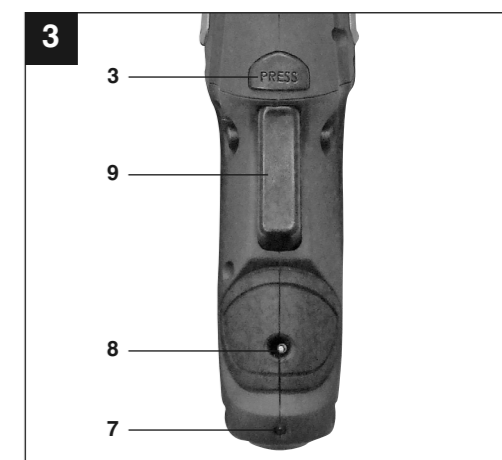
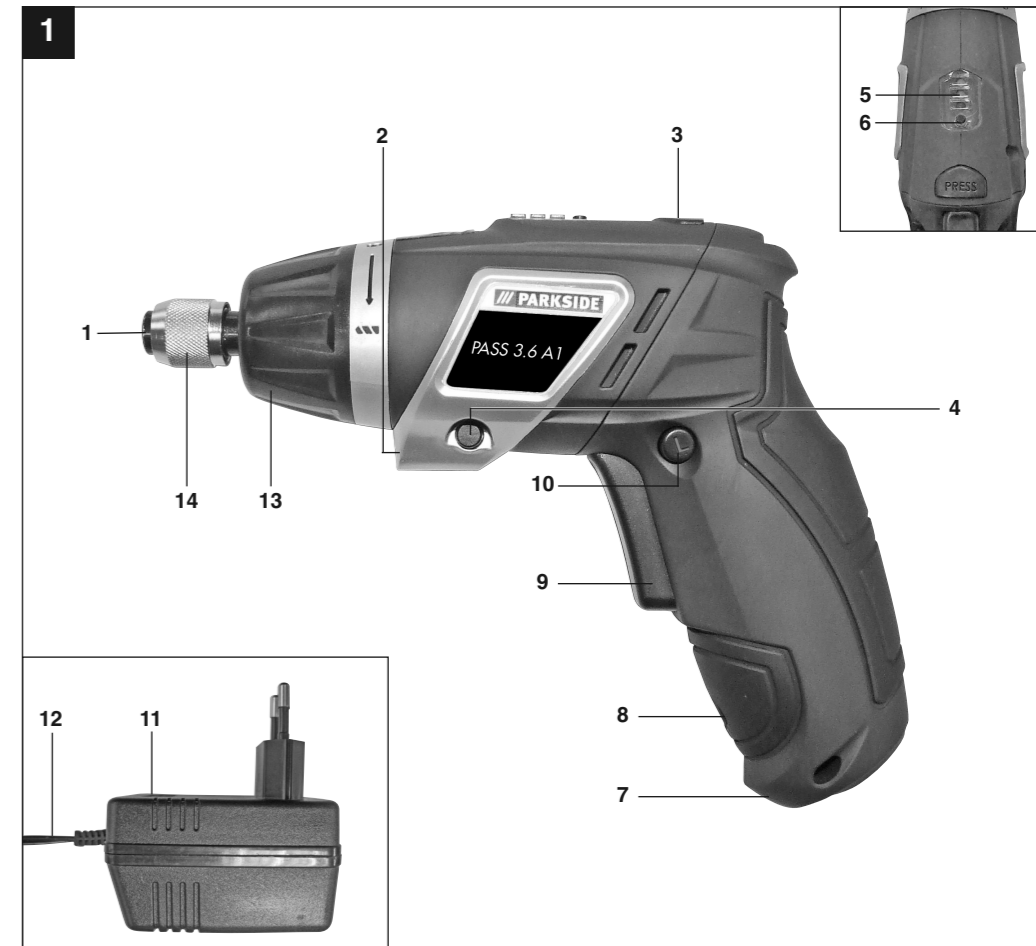
GR CY

Πριν ξεκινήσετε την ανάγνωση, ανοίξτε τη σελίδα με τις εικόνες και εξοικειωθείτε με όλες τις λειτουργίες της συσκευής.

DE AT CH

Klappen Sie vor dem Lesen die Seite mit den Abbildungen aus und machen Sie sich anschließend mit allen Funktionen des Gerätes vertraut.

GB/CY	Operation and Safety Notes	Page	5
HR	Upute za posluživanje i za Vašu sigurnost	Stranica	18
RO	Indicații de siguranță și de folosire	Pagina	31
BG	Указания за обслужване и безопасност	Страница	45
GR/CY	Υποδείξεις χειρισμού και ασφαλείας	Σελίδα	59
DE/AT/CH	Bedienungs- und Sicherheitshinweise	Seite	73



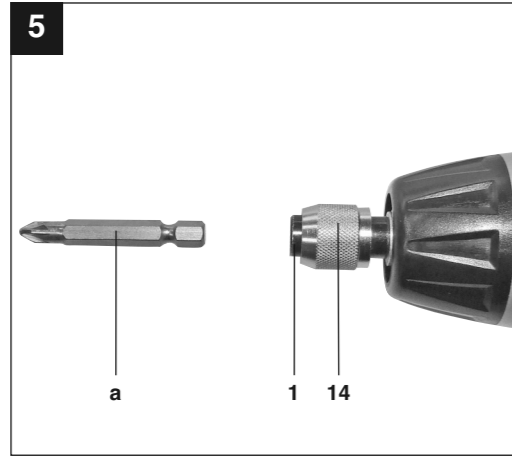
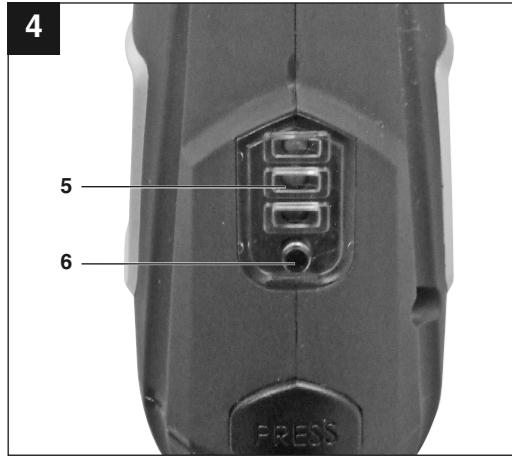


Table of contents:

	Page
1. Introduction	7
2. Safety regulations	7-11
3. Layout	11
4. Items supplied	11
5. Intended use	12
6. Technical data	12-13
7. Before starting the equipment.....	13
8. Operation	13-14
9. Cleaning, maintenance and ordering of spare parts.....	15
10. Disposal and recycling	15
11. Declaration of conformity	16
12. Guarantee Certificate	17

GB/
CY

GB/
CY



“Caution - Read the operating instructions to reduce the risk of inquiry”

The reprinting or reproduction by any other means, in whole or in part, of documentation and papers accompanying products is permitted only with the express consent of ISC GmbH.

Technical changes subject to change