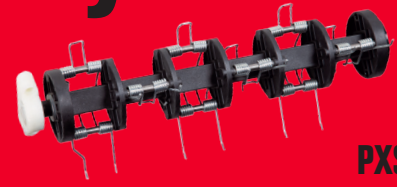


Aerator Assembly



Freecall (Aus) 1800 069 486
(NZ) 0508 069 486

www.ozito.com.au

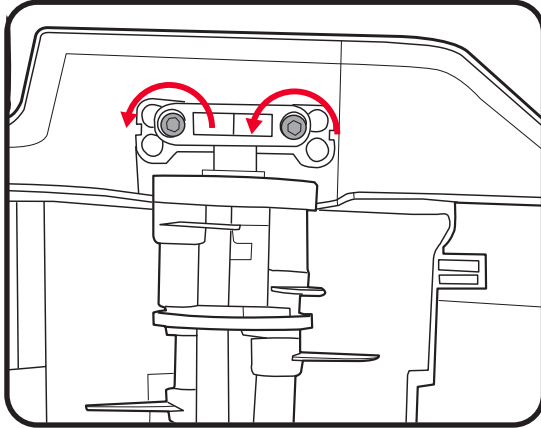


PXSCAR-280

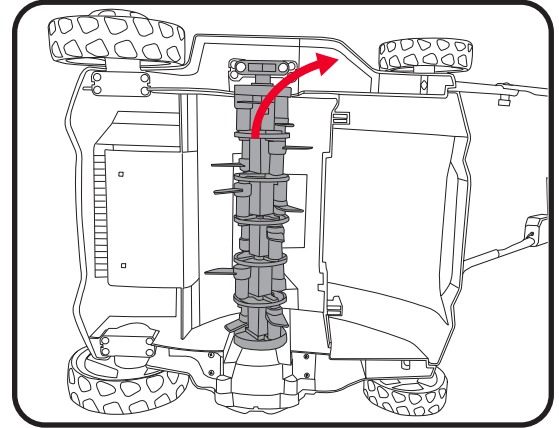
ALWAYS HANDLE THE SCARIFIER ROLLER WITH CARE - SHARP EDGES CAN CAUSE SERIOUS INJURY, WEAR GLOVES.



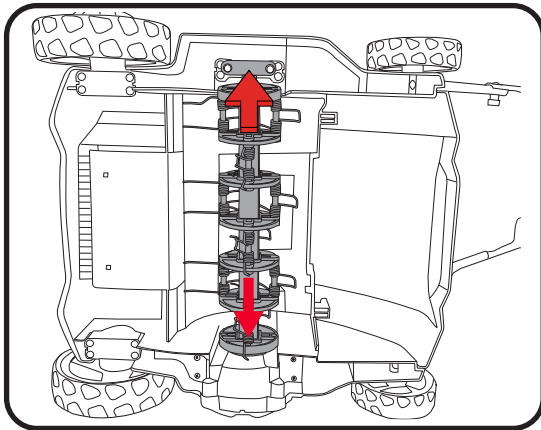
WARNING! ALWAYS ENSURE THE SCARIFIER ROLLER HAS COMPLETELY STOPPED, REMOVE THE SAFETY KEY, BATTERY AND GRASS CATCHER PRIOR TO ANY MAINTENANCE.



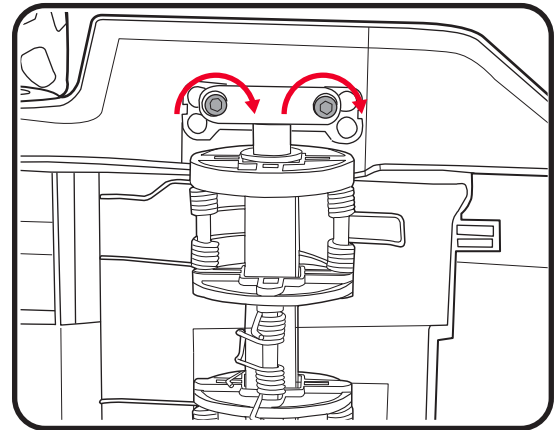
1. To remove the roller, first remove the two socket head screws. Put aside for later use.



2. Lift the roller at this end and pull it out, away from the scarifier.



3. To fit the roller, first push the roller in the square-ended drive, then push the other end into the scarifier.



4. Refit and tighten the two socket head screws.

Tips for proper aerator roller use.

- The way of working for aerating is the same as for scarifying, therefore all safety instructions and notes on working practice should be followed as stated in the Scarifier Instruction Manual.
- Apply grease to the square-end drive of the roller from time to time so that the rollers can be changed easily.

CAUTION: This Aerator is a non-Serviceable Part!

Remove and replace if Aerating Tines become - Bent, Damaged or Broken. DO NOT attempt to fix or re-use broken parts.

AERATOR ASSEMBLY

ozito
XPXC