

MAINTENANCE

WARNING! BEFORE CLEANING OR CARRYING OUT ANY MAINTENANCE PROCEDURE, ENSURE THAT THE BATTERIES HAVE BEEN REMOVED.

Cleaning

- Keep the ventilation slots of the tool clean at all times to ensure efficient operation.
- After each use, blow air through the tool housing to ensure it is free from all dust, dirt, etc. Build up of dust or dirt particles may cause the tool to overheat and shorten the life of the tool.
- If the housing of the tool requires cleaning, do not use solvents. Use of a cloth only is recommended.
- Never allow any liquid to get inside the tool, never immerse any part of the tool into liquid.

Storage

When not in use, the tool should be stored in a dry, frost free location, keep out of children's reach.

Note: Ozito Industries will not be responsible for any damage or injuries caused by repair of the tool by an unauthorised person or by mishandling.

DESCRIPTION OF SYMBOLS

	Direct Current	n_0	No load speed
	Volts		Warning
	Metre per hour		Regulatory Compliance Mark (RCM)
	Revolutions per minute		Keep long hair away from the fan blades
	Read Instruction Manual		Revolutions per minute

CARING FOR THE ENVIRONMENT



Power tools that are no longer usable should not be disposed of with household waste but in an environmentally friendly way. Please recycle where facilities exist. Check with your local council authority for recycling advice.



Recycling packaging reduces the need for landfill and raw materials. Reuse of recycled material decreases pollution in the environment. Please recycle packaging where facilities exist. Check with your local council authority for recycling advice.

SPARE PARTS

Spare parts can be ordered from the Special Orders Desk at your local Bunnings Warehouse.

For further information, or any parts not listed here, visit www.ozito.com.au or contact Ozito Customer Service:

Australia 1800 069 486

New Zealand 0508 069 486

E-mail: enquiries@ozito.com.au

ELECTRICAL SAFETY



WARNING! When using electric tools basic safety precautions should always be followed to reduce the risk of fire, electric shock and personal injury.

- Read the whole manual carefully and make sure you know how to switch the tool off in an emergency, before operating the tool. Save these instructions and other documents supplied with this tool for future reference.
- This appliance is not intended for use by persons (including children) with reduced physical, sensory or mental capabilities, or lack of experience and knowledge, unless they have been given supervision or instruction concerning use of the appliance by a person responsible for their safety. Children should be supervised to ensure that they do not play with the appliance.
- This appliance is compatible and only to be used with all batteries & chargers from the Ozito PXC range. Refer to the PXC battery and charger manuals for information regarding charging use and storage.

GENERAL POWER TOOL SAFETY WARNINGS



WARNING! Read all safety warnings, instructions, illustrations and specifications provided with this power tool. Failure to follow all instructions listed below may result in electric shock, fire and/or serious injury.

Save all warnings and instructions for future reference.

The term "power tool" in the warnings refers to your mains-operated (corded) power tool or battery-operated (cordless) power tool.

1) Work area safety

- Keep work area clean and well lit. Cluttered or dark areas invite accidents.
- Do not operate power tools in explosive atmospheres, such as in the presence of flammable liquids, gases or dust. Power tools create sparks which may ignite the dust or fumes.
- Keep children and bystanders away while operating a power tool. Distractions can cause you to lose control.

2) Electrical safety

- Power tool plugs must match the outlet. Never modify the plug in any way. Do not use any adapter plugs with earthed (grounded) power tools. Unmodified plugs and matching outlets will reduce risk of electric shock.
- Avoid body contact with earthed or grounded surfaces, such as pipes, radiators, ranges and refrigerators. There is an increased risk of electric shock if your body is earthed or grounded.
- Do not expose power tools to rain or wet conditions. Water entering a power tool will increase the risk of electric shock.
- Do not abuse the cord. Never use the cord for carrying, pulling or unplugging the power tool. Keep cord away from heat, oil, sharp edges or moving parts. Damaged or entangled cords increase the risk of electric shock.
- When operating a power tool outdoors, use an extension cord suitable for outdoor use. Use of a cord suitable for outdoor use reduces the risk of electric shock.

If operating a power tool in a damp location is unavoidable, use a residual current device (RCD) protected supply. Use of an RCD reduces the risk of electric shock.

3) Personal safety

- Stay alert, watch what you are doing and use common sense when operating a power tool. Do not use a power tool while you are tired or under the influence of drugs, alcohol or medication. A moment of inattention while operating power tools may result in serious personal injury.
- Use personal protective equipment. Always wear eye protection. Protective equipment such as a dust mask, non-skid safety shoes, hard hat or hearing protection used for appropriate conditions will reduce personal injuries.
- Prevent unintentional starting. Ensure the switch is in the off-position before connecting to power source and/or battery pack, picking up or carrying the tool. Carrying power tools with your finger on the switch or energising power tools that have the switch on invites accidents.
- Remove any adjusting key or wrench before turning the power tool on. A wrench or a key left attached to a rotating part of the power tool may result in personal injury.
- Do not overreach. Keep proper footing and balance at all times. This enables better control of the power tool in unexpected situations.
- Dress properly. Do not wear loose clothing or jewellery. Keep your hair and clothing away from moving parts. Loose clothes, jewellery or long hair can be caught in moving parts.
- If devices are provided for the connection of dust extraction and collection facilities, ensure these are connected and properly used. Use of dust collection can reduce dust-related hazards.
- Do not let familiarity gained from frequent use of tools allow you to become complacent and

PORTABLE FAN SAFETY WARNINGS

- Do not operate fan if guard is damaged or removed.
- Do not insert objects into the rotating parts of the fan. Fan failure may occasionally result in property damage or minor injury.
- Do not allow the unit to be subjected to shock, such as falling, otherwise the service life and performance characteristics of the fan will be adversely affected.
- Do not attempt to disassemble, repair, or modify the unit. Property damage or minor injury may occasionally occur due to electric shock, fire, or fan failure.
- Always keep both inlet and outlet vents clear of any foreign material and inspect and remove build-up of dust and particles prior and after each use.

- The unit is intended for cooling and air circulation. Do not use it for other purposes.
- Not intended to be used in temperatures exceeding 40°C.
- Do not operate the fan in an explosive environment. Do not use or store the fan with or near fuels, grain, dust, solvents, thinners or other flammable materials.



PORTABLE FAN

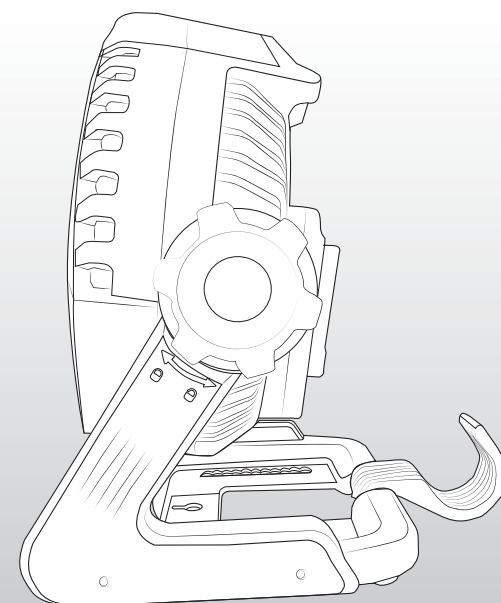
INSTRUCTION MANUAL

SPECIFICATIONS

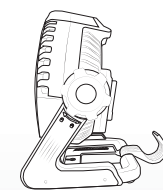
Input:	18V
Fan Speed:	1,200/1,700/2,200rpm
Wind Speed:	15,000m/h
Fan Diameter:	180mm
Head Adjustment:	360°
Weight:	1.79kg

ozito.com.au

5 YEAR
REPLACEMENT WARRANTY



STANDARD EQUIPMENT



Cordless Portable Fan

PXPFS-018

WARRANTY

IN ORDER TO MAKE A CLAIM UNDER THIS WARRANTY YOU MUST RETURN THE PRODUCT TO YOUR NEAREST BUNNINGS WAREHOUSE WITH YOUR BUNNINGS REGISTER RECEIPT. PRIOR TO RETURNING YOUR PRODUCT FOR WARRANTY PLEASE TELEPHONE OUR CUSTOMER SERVICE HELPLINE:

Australia 1800 069 486
New Zealand 0508 069 486

TO ENSURE A SPEEDY RESPONSE PLEASE HAVE THE MODEL NUMBER AND DATE OF PURCHASE AVAILABLE. A CUSTOMER SERVICE REPRESENTATIVE WILL TAKE YOUR CALL AND ANSWER ANY QUESTIONS YOU MAY HAVE RELATING TO THE WARRANTY POLICY OR PROCEDURE.

WARNING

The following actions will result in the warranty being void.

- If the tool has been operated on a supply voltage other than that specified on the tool.
- If the tool shows signs of damage or defects caused by or resulting from abuse, accidents or alterations.
- Failure to perform maintenance as set out within the instruction manual.
- If the tool is disassembled or tampered with in any way.

The benefits provided under this warranty are in addition to other rights and remedies which are available to you at law.

Our goods come with guarantees that cannot be excluded at law. You are entitled to a replacement or refund for a major failure and for compensation for any other reasonably foreseeable loss or damage. You are also entitled to have the goods repaired or replaced if the goods fail to be of acceptable quality and the failure does not amount to a major failure.

Generally you will be responsible for all costs associated with a claim under this warranty, however, where you have suffered any additional direct loss as a result of a defective product you may be able to claim such expenses by contacting our customer service helpline above.

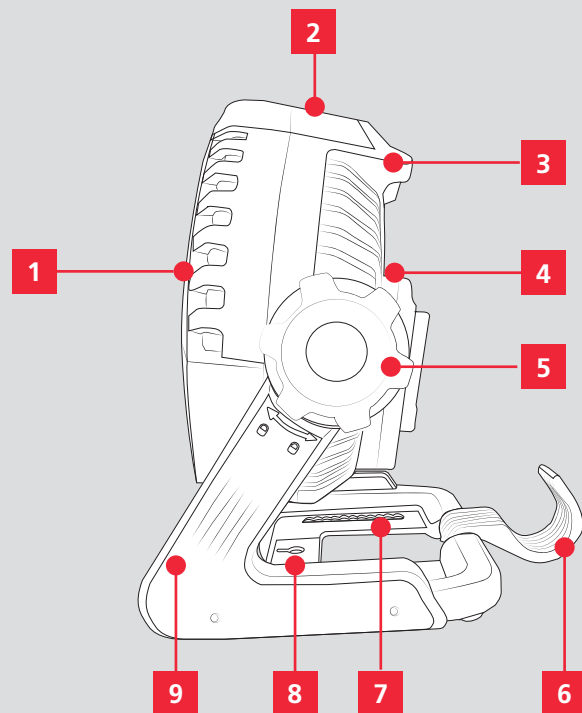
5 YEAR REPLACEMENT WARRANTY

Your Product is guaranteed for a period of 60 months from the original date of purchase and is intended for DIY (Do It Yourself) use only. If a product is defective it will be replaced in accordance with the terms of this warranty. **Lithium Ion batteries and chargers are covered by a 36 month warranty** and are excluded from the warranty extension. Warranty excludes consumable parts.

KNOW YOUR PRODUCT

PORTABLE FAN

- 1. Blower Head
- 2. 3 Speed Settings
- 3. Convenient Carry Handle
- 4. Battery Seating



- 5. Fastening Screw
- 6. Hanging Hook
- 7. Wall Mount Bracket
- 8. Additional Wall Mount Bracket
- 9. Foot

BATTERY & CHARGER

This tool is compatible with all batteries & chargers from the Ozito PXC range.

ONLINE MANUAL

Scan this QR Code with your mobile device to take you to the online manual.



SETUP & PREPARATION

1. ASSEMBLY

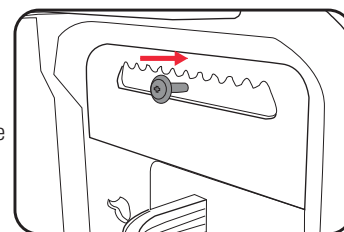
WARNING! ENSURE THE TOOL IS SWITCHED OFF AND THE BATTERY IS REMOVED BEFORE PERFORMING ANY OF THE FOLLOWING TASKS.

Attaching To A Wall

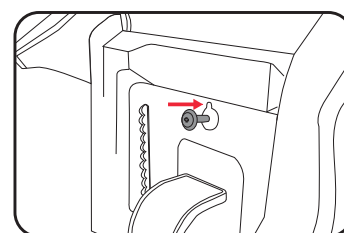
The mounting plate on the fan allows you to hang the unit on a wall to clear up valuable bench space.

Use the appropriate screw type for the surface you are attaching the bracket to. The recommended screw size is 6mm in diameter and at least 50mm long.

1. Fasten a screw halfway into the wall at the desired height.
2. Place the groove of the mounting plate on the screw and fasten the screw fully into the wall.

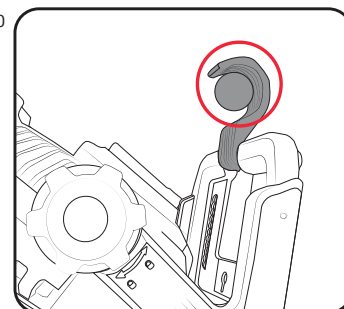


3. For extra security, place another screw through the hole in the mounting plate.

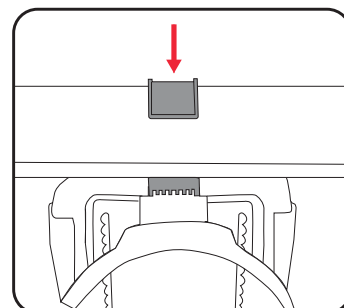


Using The Hanging Hook

Where appropriate, the fan can also be hung up with the supplied hook.



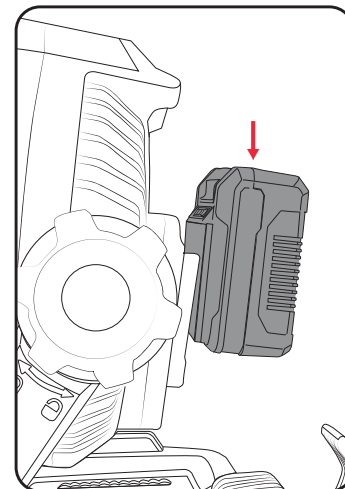
Note: Ensure the hook is placed securely around the mounting bar.



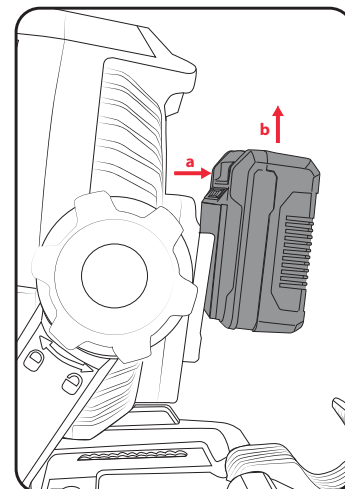
2. FITTING THE BATTERY

Installing A Battery Pack

1. Slide the battery into the tool base until it clicks into place.



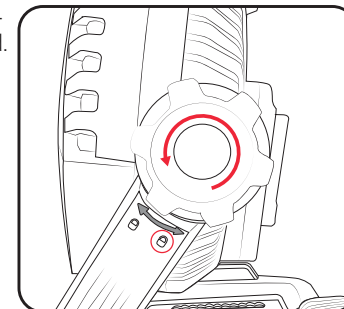
2. To remove the battery, (a) hold down the battery release button and (b) slide the battery out upwards.



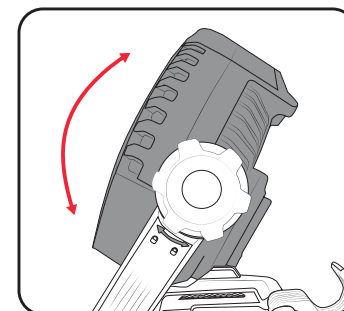
3. ADJUSTING THE FAN

Changing The Airflow Direction

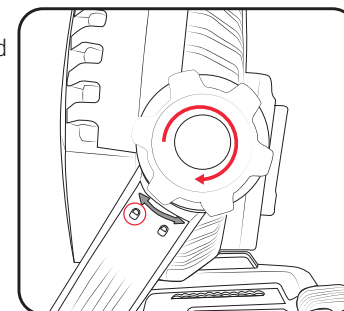
1. Rotate the adjustment knob anti-clockwise to loosen the fan head.



2. Adjust the fan head to your desired angle before tightening it.



3. Rotate the adjustment knob clockwise to tighten the fan head after the desired head angle.



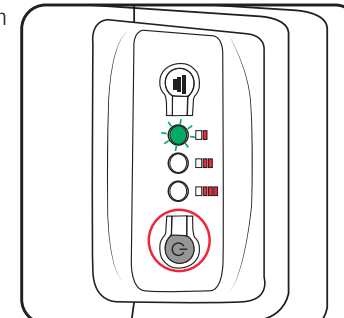
Note: Do not overtighten the adjustment knobs.

OPERATION

4. CONTROLS

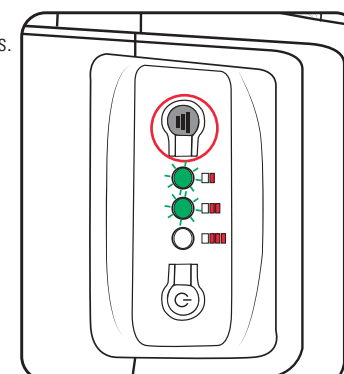
Switching The Fan On & Off

1. Press the power button to switch the unit on.
2. Press the power button again to turn the unit off.

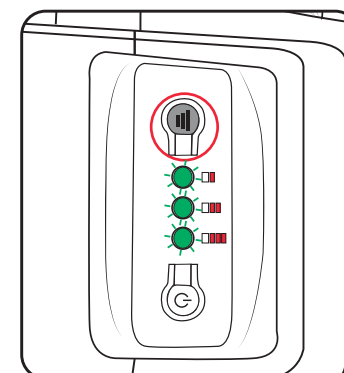


Changing Fan Speed

1. Press the fan speed button to toggle between the three speeds.



2. The LED will light up according to the speed setting the fan is currently at.



WARNING! KEEP HANDS AND HEAD HAIR OUT OF THE ROTATING PARTS WHILE THE FAN IS SWITCHED ON

4. TROUBLESHOOTING

Short Battery Runtime

Ensure the battery is properly charged. It will take 4-5 charging cycles before the battery reaches optimum charge and run time.