

# Operating Instructions Electric Silent Shredder



GARDENLINE®



## After Sales Support

TEL: 1300 130 579

WEB: [www.rossmac.com](http://www.rossmac.com)

 N16188

# RLH 2540FB

# Electric Silent Shredder

## What your 1 year warranty means

Great care has gone into the manufacture of this product and it should therefore provide you with years of good service when used properly. In the event of product failure within its intended use over the course of the first 1 year after the date of purchase, we will remedy the problem as quickly as possible once it has been brought to our attention. In the unlikely event of such an occurrence, or if you require any information about the product please contact us via our after sales support services, details of which can be found in this manual and on the product itself.

## Table of Contents

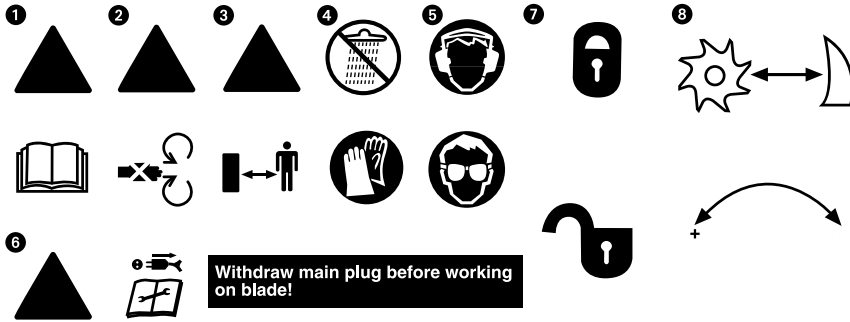
1	General Information & Safety Instructions
2	Assembly and Parts List
3	Features
4	Instructions
5	FAQ
6	Useful Information

# 1. General Information & Safety Instructions

**When using the equipment, a few safety precautions must be observed to avoid injuries and damage.**

1. Read the operating instructions carefully and comply with them at all times. It is important to consult these instructions in order to acquaint yourself with the unit, its proper use and the important safety regulations.
2. Keep this manual in a safe place, so that the information is available at all times.
3. If you give the equipment to any other person, make sure that you pass on these operating instructions as well.

**We can accept no liability for damage or accidents which arise due to non-compliance with these instructions.**



## Safety information

Description of the warning sign on the machine

1. Important! Read the operating instructions and follow the warnings and safety instructions
2. Take care when the blades are rotating. Do not put your hands or feet into openings when the machine is running.
3. Important: Keep other persons and animals away from the danger zone.
4. Important: Protect the machine from the damp and never expose it to rain.
5. Important: Always wear safety goggles, ear defenders, protective gloves and heavy-duty work clothes!

6. Always set the ON/OFF switch to OFF and pull the power plug out of the socket-outlet before doing any work on the shredder, e.g. cleaning the shredder and making adjustments, or if the power cable becomes damaged.
7. Explanation of the safety switch on the debris box: The switch is in the "Lock is closed" position: The shredded material debris box is locked. The shredder can be switched on. The switch is in the "Lock is open" position: The shredded material debris box is not locked and can be removed. The shredder cannot be switched on.
8. Explanation of the lever for adjusting the counter blade: Turning clockwise reduces the distance between the cutting unit and the counter blade. Turning counterclockwise increases the distance between the cutting unit and the counter blade.

**Caution!** The cutters continue to run for a few seconds after the motor is switched off.

## General Safety information

**Caution!** The ON/OFF switch must be set to OFF and the power plug removed from the socket outlet before cleaning or doing any other work on the shredder and whenever the cable becomes tangled. The shredder will continue to run briefly after it is switched off.

1. The shredder is not to be used by individuals under 16 years of age or any other persons who are not acquainted with these directions for use.
2. The operator is responsible for the safety of third parties within the working radius of the shredder.

3. Make sure that the shredder is properly closed (loading funnel and ejector) before you start up the motor
  4. The shredder must be placed on a flat and firm surface where it can stand securely.
  5. Always wear gloves and safety goggles when working with the shredder.
  6. We recommend ear-defenders when working with shredders which have no noise-insulating features.
  7. Each time before you leave the shredder, switch off the motor and pull out the ignition key, spark plug connector or power plug.
  8. Maintenance and cleaning work on the shredder as well as the removal or adjustment of any safety devices may only be performed when the motor is at a standstill and the ignition key, spark plug connector or power plug has been pulled out.
  9. The safety devices supplied with the shredder (e.g. the ejector) must be used.
  10. The shredder must be assembled correctly before it is put into operation.
  11. Examine the shredder each time before you use it. Do not use the shredder if any safety devices are damaged or worn. Never put safety devices out of operation.
  12. Use the shredder only for the purpose specified in these instructions.
  13. Work only in good visibility.
  14. Always make sure of your footing while working.
  15. Never leave the shredder unattended at your work place. Store the shredder in a safe place during interruptions.
  16. If you interrupt your work to move to a different position it is imperative to switch off the shredder while you are moving there.
  17. Never use the shredder in the rain or in moist or wet conditions.
  18. Protect the shredder from the damp and rain.
  19. Always wear suitable clothing to protect your head, hands and feet from injury. Wear a helmet, goggles or visor, high boots or strong shoes, long trousers made of tough material, and work gloves.
  20. Keep the shredder away from other persons, particularly children and pets.
- Caution! The guard is vital for your safety and for the safety of others, and it is also essential for the shredder to work correctly. Failure to observe this instruction will not only create a potential hazard, it will also result in the loss of your rights under the warranty.
21. Keep the air vents clear of dirt.
  22. After use, unplug the machine and check it for damage.
  23. When you are not using the shredder, keep it in a dry place out of the reach of children.
  24. Check the screws regularly to see that they are properly tightened.
  25. The mains voltage must be the same as the voltage specified on the rating plate.
  26. Plug connectors must be equipped with earthing contacts and the coupling must be rain-water protected. It is recommended that an RCD (Residual Current Device) is fitted into the mains supply for added safety.
    - Do not use 2-core extension leads with power tools which require an earth - always use 3-core leads with an earth supply marked for outdoor use.
    - Always unwind any extension reels fully.
    - For extension reels up to 15 metres use a wire cross section of 1.5mm<sup>2</sup>. For extension cords over 15 metres but less than 40 metres, use a wire cross section of 2.5mm<sup>2</sup> rated at 10 amps
  27. Use only original replacement parts for repair and maintenance purposes.
  28. Have repairs carried out only by a qualified electrician.
  29. Examine the shredder for signs of wear or damage each time before you use it and after any collisions. Have essential repairs carried out without delay.

30. Never use replacement parts or accessories which are not recommended by the manufacturer.
31. Pull out the power plug before carrying out any inspection, cleaning or other work on the shredder and whenever it is not being used.
32. Before you begin your work, examine the material you want to shred. Remove any foreign bodies. Continue to watch out for foreign bodies while you are working. If you come across any foreign bodies while shredding, shut down the machine and remove the items in question.
33. Keep the machine away from other persons, particularly children and pets.
34. Use the machine only in the way described in these operating instructions.
35. Only ever connect the device to a shock-proof socket which has been installed in accordance with regulations and which is protected by a 16A fuse as a minimum.
36. The efficiency of the machine will be greatly reduced if a connecting cable with too small a cross section is used. A conductor cross section of at least 3x1.5 mm<sup>2</sup> is required for cables up to 25 m long, and one of at least 3x2.5 mm<sup>2</sup> for cables longer than 25 m.
37. If the machine has to be lifted for transporting, be sure to switch off the motor first and wait for the cutter to come to a standstill. Each time before you leave the machine, switch off the motor and pull out the power plug. Before you connect the machine to the power supply, make sure that the loading funnel is properly connected to the motor housing and the release screw tightened.
38. If the garden refuse shredder vibrates excessively, turn off the motor, pull out the power plug, and find out immediately what is causing the vibrations. Intensive vibration is usually a sign that something is wrong.
39. Do not wear loose clothing or clothing with hanging belts or cords.
40. Do not use the machine on a paved area that has been graveled where discharged material may cause injuries.
41. Ensure that the loading funnel inlet is empty before you start the machine.
42. Keep your head and body away from the infeed opening.
43. Do not move your hands, other body parts or clothing into the infeed chamber, ejector chute or near other moving parts.
44. Make sure that you are balanced and standing on a firm surface at all times. Do not stretch forwards. Never stand higher than the machine when feeding material into it.
45. Keep away from the discharge zone when you start the machine.
46. If foreign bodies get into the cutting tool or the machine generates unusual noises or vibrates in a strange way, switch off the motor immediately and allow the machine to come to a standstill. Pull the plug and carry out the following work:
  - Check the machine for signs of damage
  - Check that all the parts are secure and tighten them if necessary.
  - Have any damaged parts replaced or repaired, but use only spare parts of the same type and equivalent quality
47. If the machine is blocked switch off the motor and pull the plug before you start the cleaning procedure. Ensure that the motor is clear of waste and other accumulations to protect the motor from suffering damage or possibly catching fire.
48. Ensure that all the covers and guards are in position and in good working order.
49. Do not tip the machine whilst the motor is running.
50. Switch off the machine before you fit or remove the collection container.
51. The tool may only be used outdoors (i.e. not in the vicinity of a wall or any other ridged object)
52. Damaged or illegible labels must be replaced
53. Allow the tool to cool before carrying out any main tenance work, adjustments, etc.
54. Never use the machine while other people are nearby

55. When inserting material take special care to ensure that it does not contain any metal, stones, bottles, cans or other foreign bodies.
56. Do not allow processed material to accumulate within the discharge area; this could prevent the machine being able to discharge correctly and result in material recoiling through the infeed opening.
57. When servicing the cutting tool, remember that it may still be moving due to the starting mechanism, even if the motor is not running because of the cover interlock.
58. Children must not be permitted to use the machine.
59. Wear ear protectors and safety goggles. Wear these throughout the time the machine is in operation.
60. The device must only be supplied via a residual current device with max. 30mA tripping current.

#### **Proper use**

This electric garden refuse shredder is designed only for shredding organic garden waste. Place biologically degradable material, e.g. leaves, branches, dead flowers etc., into the loading funnel inlet. Please note that our equipment has not been designed for use in commercial, trade or industrial applications. Our warranty will be voided if the machine is used in commercial, trade or industrial businesses or for equivalent purposes.

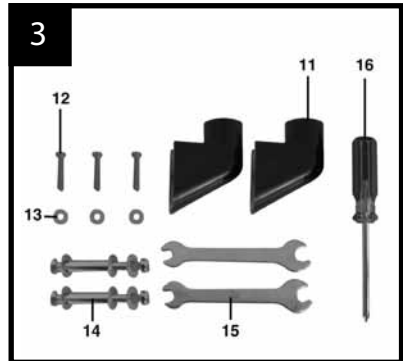
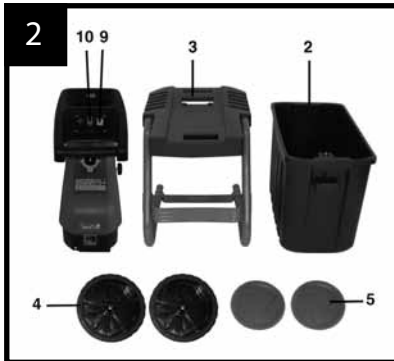
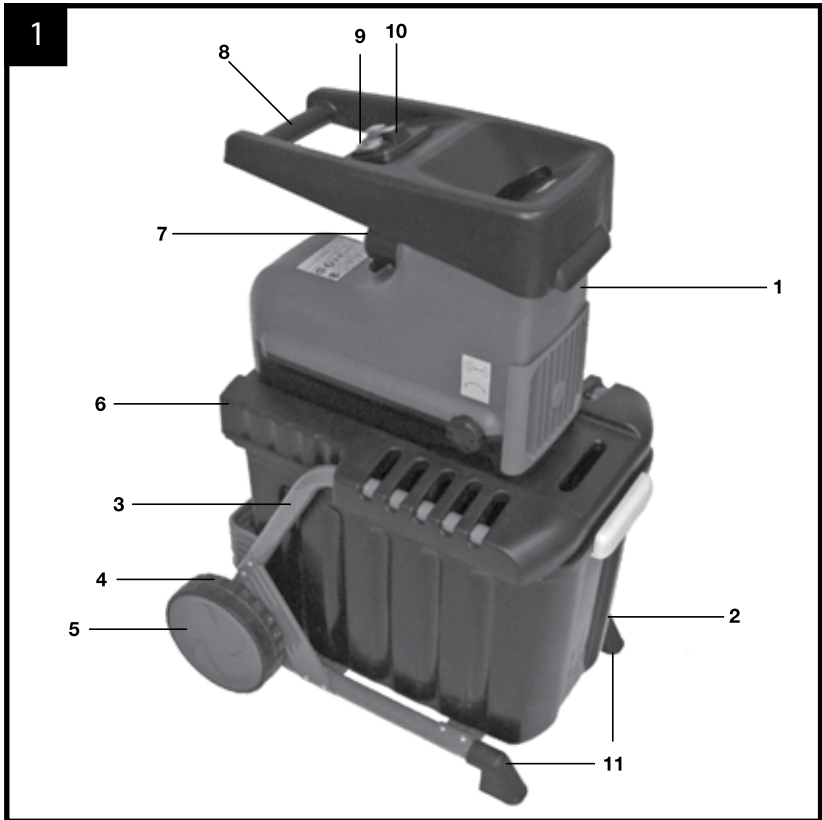
## **2. Assembly & Parts List**

### **Layout (Fig.1-3)**

1. Motor unit
2. Shredded material debris box
3. Base frame
4. Wheels
5. Wheel caps
6. Knob for setting the counter blade
7. Power cable connector
8. Transport handle
9. Reverse running switch
10. ON/OFF switch

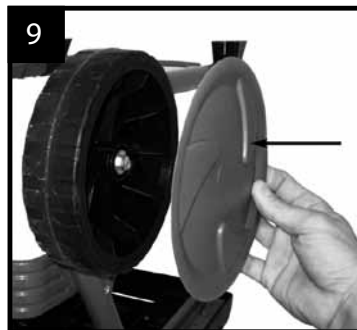
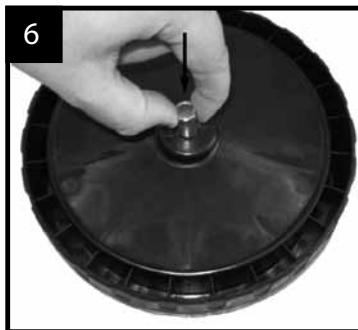
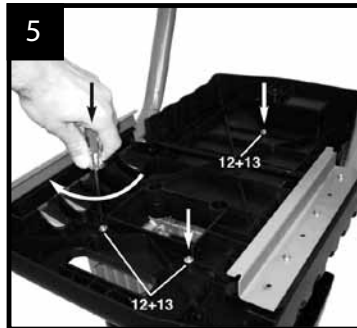
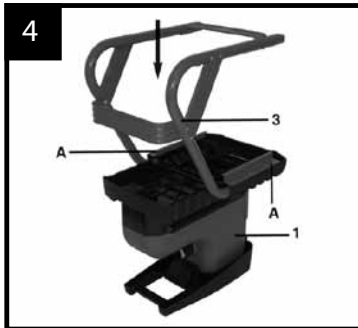
### **Items Supplied (Fig. 1-3)**

11. Legs (including fastening screw)
12. 3x screws for fitting the motor unit
13. 3x washers for fitting the motor unit
14. 2x sets of screws for fitting the wheels (including wheel sleeves, washers and nuts)
15. 2x open-ended spanners (10/13 mm)
16. 1x Phillips screwdriver



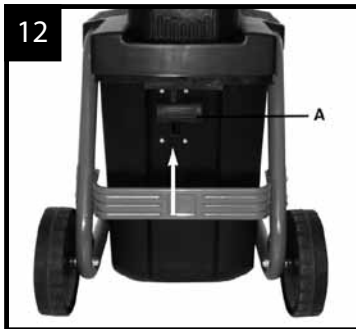
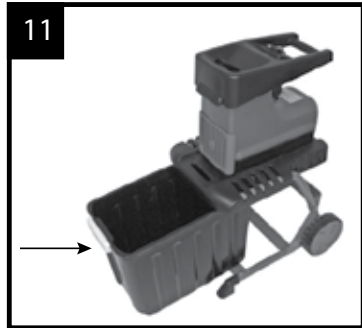
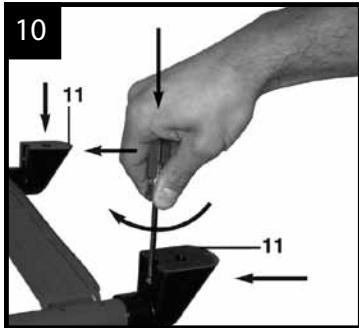
## Installation

1. Screw the motor unit (Fig. 4/Item 1) and the base frame (Fig. 4/Item 3) together. Use the screws (Fig. 3/Item 12) and washers (Fig. 3 Item 13) to do so (Fig. 5).
2. Fit the wheels to the base frame. To do so, slide one sleeve each into the hole in each of the wheels (Fig. 6). Then insert one screw with washer through each sleeve (Fig. 7) and screw the wheels to the base frame (Fig. 8). To do so, fit one washer in front of the tubular rod and one behind it. Press the wheel caps onto the wheels (Fig. 9).





3. Fit the legs (Fig. 10/Item 11) to the base frame as shown in Fig. 10.
4. Slide the shredded material debris box into the mount with the safety switch (Fig. 12/Item A) at the front as shown in Fig. 11. Ensure that the shredded material debris box runs above the guide rails (Fig. 4/Item A).
5. Lock the shredded material debris box with safety switch (Fig. 12/Item A) in position by pushing upwards.



### 3. Features

- 40mm maximum branch diameter
- Approx 60 litre collection bin with integrated safety switch
- Reverse gear in case of blockage
- Robust undercarriage and large wheels
- Integrated transportation handle

## 4. Instructions

### Operation

Please observe the statutory regulations governing noise abatement during operating times, which may differ from town to town.

### Mains connection

Connect the device with an extension lead connected to the integrated power plug (Fig. 13/Item E). Be sure to observe the relevant information in the safety instructions.

### ON/OFF switch (Fig. 13/Item B)

- Press the green knob to switch on the shredder.
- Press the red knob to switch it off.

**Note:** The device has a zero voltage switch. This prevents the device restarting unintentionally after a power failure.

### Safety switch (Fig. 12/Item A)

When using the device the shredded material debris box must be securely in position and the safety switch locked as shown in Fig. 12.

### Direction selection switch (Fig.13/Item C)

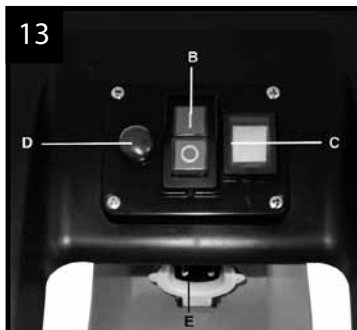
Important! The switch for selecting the direction of rotation can only be moved when the shredder is switched off.

### Position “↓”

The material is automatically drawn in by the blade and shredded.

### Position “↑”

The blade rotates in the opposite direction to release jammed material. After moving the selector switch to the “↑” position, press and hold the green knob of the ON/OFF switch. The blade will start to rotate in the opposite direction. As soon as you release the ON/OFF switch, the shredder will stop automatically.



**Important!** Always wait until the shredder has reached a standstill before you switch it on again

Large items or pieces of wood will be discharged both in the cutting and in the release direction after the blade has been started and reversed several times.

### Motor protection (Fig. 13/Item D)

An overload (for example if the blade is jammed) will cause the machine to cut out after a few seconds. To protect the motor from damage the motor protection switch stops the power supply automatically. Wait for at least one minute before you press the reset knob so that you can restart the machine.

Then press the ON/OFF switch.

If the blade becomes jammed, turn the switch for selecting the direction of rotation to the left to position “↑” before you switch on the shredder again.

#### Practical tips

1. Be sure to observe the safety instructions.
2. Wear work gloves, goggles and ear protection.
3. Place the material you wish to shred into the opening on the right-hand side (the blade rotates anticlockwise).
4. The material is drawn into the shredder automatically.  
**CAUTION!** Long pieces of material projecting out of the funnel inlet may whiplash when it is drawn in – keep a safe distance between yourself and the machine.
5. Judge the quantity of material which you put into the funnel inlet so that the funnel does not clog.
6. If you want to shred withered, damp material that has been lying in the garden for several days, alternate between putting in this material and branches. This will help to prevent the loading funnel becoming clogged with material.
7. Do not shred soft waste (e.g. kitchen waste) put it straight in the compost box.
8. Entangled branches and leaves should be thoroughly shredded before loading any more material.
9. Do not allow the discharge opening to become clogged with shredded material – risk of pile-ups.
10. Do not cover the ventilation slits.
11. Do not place heavy material or thick branches into the machine continuously. This may cause the blade to jam.
12. Use a plunger or hook to remove jammed objects from the funnel or discharge openings.

**Warning - Switch off the machine first and wait for it to come to a complete stop before removing debris. Do not insert your hands or other limbs in these openings.**

**Important!** The material will be crushed, mashed and shredded by the cutting unit, thus accelerating the decomposition process for composting.

#### Emptying the shredded material debris box

The level of material in the shredded material debris box can be checked by looking through the slots on the side of the cover.

Always empty the shredded material debris box in good time to prevent it from overfilling.

To empty it, proceed as follows:

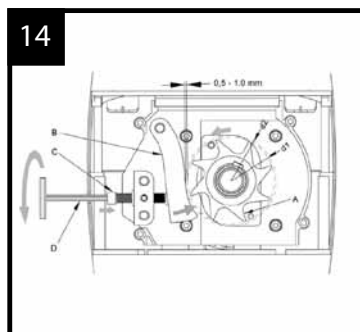
1. Switch off the device at the ON/OFF switch.
2. Release the shredded material debris box  
To do so, press the safety switch (Fig. 12/Item A) down.
3. Take the shredded material debris box out at the front.

#### Adjusting the counter blade (Fig. 14)

The counter blade and cutting unit are perfectly adjusted at the factory. Only if it suffers wear does the counter blade require adjustment (switch the machine on for this purpose). To ensure the best possible results from your shredder, the gap between the counter blade (item B) and the shredding blade (item A) should be approx. 0.50 mm.

There is an adjustment device on the right-hand side of the plastic housing for this purpose. Turn the knob clockwise so that the screw (item C) moves towards the shredding blade. After a half-turn the counter blade will have moved 0.50 mm closer to the shredding blade. After completing this adjustment check whether the blade produces the desired results.

**Caution!** Be careful not to adjust the blade until it touches the counter blade as this will damage the blade.



## 5. FAQ

Fault	Possible causes	Troubleshooting
The motor does not start	Power failure	Check the mains lead, plug and fuse.
	Safety switch on the debris box not locked in position	Ensure debris box is in position and locked.
Material is not drawn in by the shredder	The shredding blade is running in reverse.	Change the direction of rotation.
	Material blockage in the filling funnel	Change the direction of rotation and pull the material out of the funnel. Feed in thick branches again so that the blade does not immediately engage again in the notches it previously cut.
	The shredding blade is jammed	Change the direction of rotation. The blade will now release the jammed material.
The material is not shredded properly	The counter blade is not set correctly	Adjust the counter blade. See page 20 on how to do so.

## 6. Useful Information

### Technical data

Voltage:	240 V - 50 Hz
Power rating:	2400 W (S6-40%) 2000 W (S1)
Cutting unit idling speed:	40 min <sup>-1</sup>
Branch diameter:	max. 40 mm
L <sub>PA</sub> sound pressure level:	88 dB (A)
L <sub>WA</sub> sound power level:	106 dB (A)
Weight:	28 kg

S6 (40%) stands for a duty cycle based on 4 minutes on-load and 6 minutes off-load operation. Maximum power consumption depends on the consistency of the material being shredded.

### **Maintenance and storage**

1. Clean the machine regularly. This will help to keep the machine in good working order and is the basis for a long working life.
2. Keep the vent slots clean while you work.
3. Clean the plastic body and other plastic parts with a mild household cleaning agent and a damp cloth. Do not use any aggressive agents or solvents for cleaning purposes.
4. Never clean the shredder by spraying with water.
5. Prevent water getting inside the machine at all cost.
6. Check the chassis securing screws from time to time to ensure that they are tight.
7. If you do not intend to use the shredder for a lengthy period, protect it from corrosion using environmentally friendly oil.
8. Store the device in a dry room.
9. Store the device out of reach of children.

### **Waste disposal**

Accessories and packaging should be disposed of in an environment-friendly fashion, i.e. by taking them to a recycling depot. Plastic parts are coded for purposes of separation when recycling.

### **Ordering spare parts**

Please provide the following information on all orders for spare parts:

- Model/type of the equipment
- Article number of the equipment
- ID number of the equipment
- Part number of the required spare part



GARDENLINE®



GARDENLINE® is a registered trademark of ALDI stores.

**ALDI Guarantee**

Specially made for ALDI Stores to our stringent quality specifications. If you are not entirely satisfied with this product, please return it to your nearest ALDI store, within 60 days from the date of purchase, for a full refund or replacement.

ALDI STORES  
1 SARGENTS ROAD  
MINCHINBURY NSW 2770  
[www.aldi.com.au](http://www.aldi.com.au)

04/2010



Never place any electric tools in your household refuse.

Seek advice on correct disposal from local waste authorities