



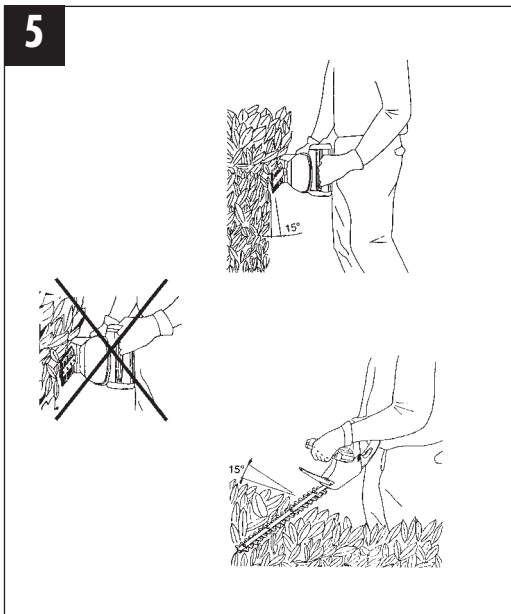
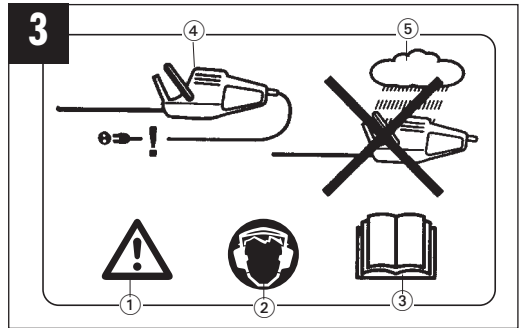
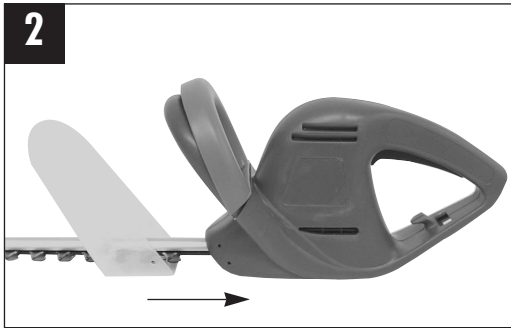
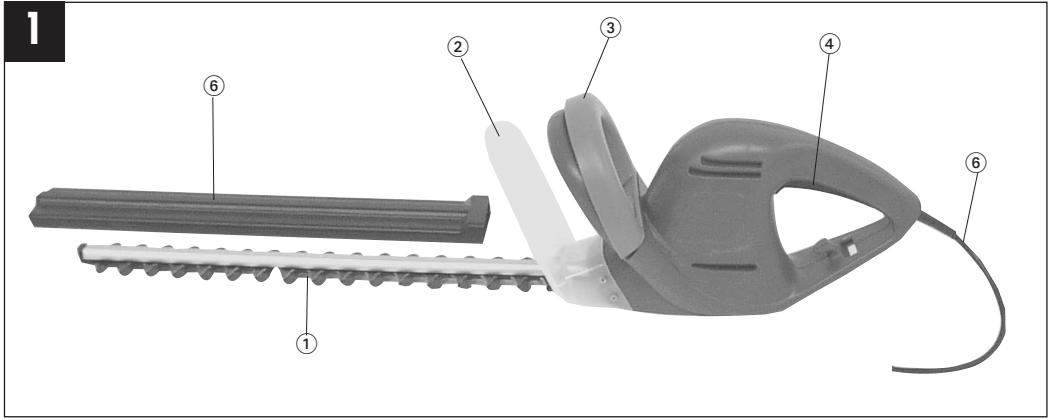
Operating Instructions
Hedge Trimmer

POWER
CRAFT[®]

CE

Art.-No.: 34.035.27

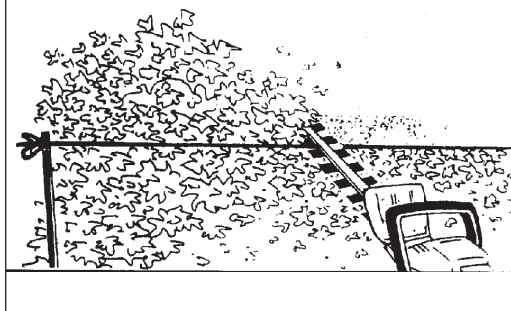
EHT 500



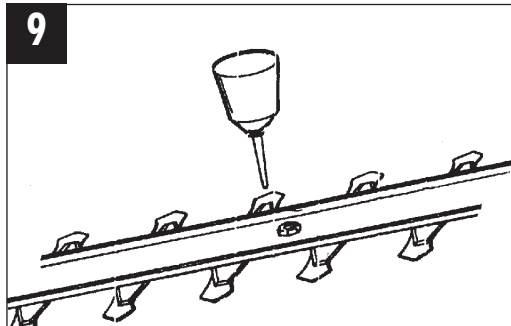
6



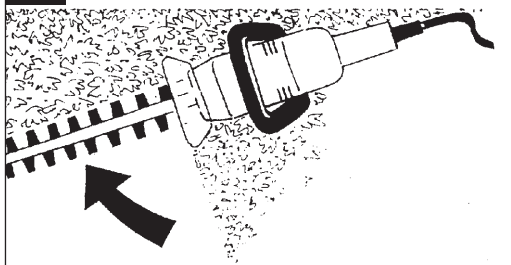
7



9



8



Safety instructions

- Please read and follow the safety instructions carefully.
- 1.1 Before the following operations are undertaken with the hedge trimmer it is necessary to disconnect the plug from the mains e.g.
 - Checking for Damage or replacing the cable
 - Cleaning the blade
 - Checking for blockages
 - Cleaning and servicing
 - 1.2 The machine can cause serious **injuries!** Read the operating instructions carefully and learn how to handle, prepare, repair, start and stop the machine correctly. Acquaint yourself with all the adjusting parts and with how to use the machine properly.
 - 1.3 Hedge trimmers must only be operated with both hands.
 - 1.4 When using the hedge trimmer always work from a stable position with sturdy footwear.
 - 1.5 Do not cut hedges when wet or in the rain do not store the apparatus outside.
If for any reason the apparatus becomes wet it must not be used.
 - 1.6 We recommend that you wear goggles and ear defenders while cutting with the machine.
 - 1.7 Wear suitable work clothing, such as rubber gloves, anti-slip shoes and no loose clothing. Long hair must be contained by a hair net.
 - 1.8 Avoid abnormal working positions and make sure you stand securely, particularly when using ladders and steps.
 - 1.9 Keep a sufficient distance between the apparatus and body while working.
 - 1.10 Pay attention that children, animals and any other people are outside the working area.
 - 1.11 Carry the hedge trimmer only by the operating handle.
 - 1.12 Keep the cable out of the cutting area.
 - 1.13 Check the cable for signs of damage or wear
 - 1.14 Do not disconnect the mains plug by pulling on the cable. Do not carry the apparatus by the cable. Avoid all damages to the cable.
 - 1.15 Protect the cable from heat, overflowing liquids and damage through sharp edges. Replace a damaged cable immediately.
 - 1.16 Examine the cutting device regularly for signs of damage and if necessary have the tool repaired by the experts from your Customer Service Partner or a specialized workshop.
 - 1.17 If a blockage of the cutting device occurs, e.g. thick branches etc., the hedge trimmer must be switched off and disconnect the plug from the mains only then can the cause of the blockage be removed.
 - 1.18 Establish a storage location which is dry, safe and inaccessible for children.
 - 1.19 Always cover the cutting device with its guard during transportation and storage.
 - 1.20 Avoid overloading the apparatus. Do not carry out any work for which the apparatus is not designed.
 - 1.21 Only use cables and plug connections which are approved for outdoor use
 - Connecting cable HO7RN-F2x1.0 with an extruded shaped plug.
 - Extension cables HO7RN-F3G1.5 with weatherproof shockproof plug and shockproof coupling.
 - For the operating of electric tools the use of a current leakage protection device or a residual current operated device is recommended.
 - 1.22 The relevant checks and services must be done regularly to the hedge trimmer. Replace damaged knives only in pairs. A tradesman's attention is necessary for damages occurred through falling or impact.
 - 1.23 Maintain and service your tool carefully. Keep your tool clean and sharp to make good and maintenance.
 - 1.24 According to the regulations of the agricultural trade union only persons over the age of 17 years are allowed to operate an electric powered hedge trimmer. This is permissible for persons 16 years of age and under adult supervisions.
 - 1.25 Never use the machine with a damaged or excessively worn cutting device.
 - 1.26 Familiarize yourself with your surroundings and note any possible hazards which you may not hear due to noise from the machine.
 - 1.27 The level of noise at the workplace may exceed 85 dB(A) in this case you will need to introduce noise protection measures for the user. The noise generated by this electric tool is measured in accordance with IEC 59 CO 11, IEC 704, DIN 45635 Part 21, NFS 31-031 (84/537/EEC).
 - 1.28 Handle vibrations are measured in accordance with ISO 5349.

2. Items supplied (see Figure 1)

- 1 Cutter rail
- 2 Hand guard
- 3 Guide handle with button switch
- 4 Handle with button switch
- 5 Power cable
- 6 Storage case

It is prohibited to use the hedge trimmer without the hand guard.

3. Fitting the hand guard

Slide the supplied hand guard (Figure 1 / Item 2) over the cutter bar and use 2 screws on each side to fasten it to the housing (Figure 2).

4. Explanation of rating plate (see Figure 3)

Item 1+3: Important! Read the operating instructions carefully before you use the hedge trimmer.

Item 2: Wear ear-muffs or similar protection.

Item 4: Pull out the plug immediately if the power cable is damaged or severed.

Item 5: Never use the hedge trimmer in the rain, in damp conditions or on wet hedges.

5. Technical data

Voltage	230 V - 240 V ~ 50 Hz
Power consumption	500 W
Cutting length	465 mm
Cutter rail length	555 mm
Tooth spacing/max. dia. to be cut	14 mm
Cuts/min	3200
Sound power level LWA	95 dB(A)
Sound pressure level LPA	82 dB(A)
Vibration aw	4.4 m/s ²

6. Power supply

The hedge trimmer is designed for use only with single-phase alternating current from a 230V 50Hz AC supply. It is totally insulated, enabling it to be connected also to socket-outlets without a PE conductor. Before you use the hedge trimmer for the first time, check that your mains voltage is the same as the operating voltage specified on the machine's rating plate.

7. Startup and operation

Caution! This hedge trimmer is designed to cut hedges, bushes and shrubs. Any other use which is not expressly permitted in these instructions may cause damage to the hedge trimmer and place the user at serious risk.

Your hedge trimmer is equipped with a two-hand safety circuit. This means that it works only when the switch button on the guide handle (Figure 1 / Item 3) is pressed with the one hand while the switch on the handle (Figure 1 / Item 4) is being pressed with the other hand.

If you let go of either switching element, the blades will stop moving.

The blades take time to slow down to a standstill. Please make allowance.

- Check that the blades are working properly. High cutting performance and smooth operation are guaranteed by the counter-rotating, dual-edge blades.
- Use only approved extension cables for outdoor use.

8. Practical tips

- The hedge trimmer can be used to cut shrubs and bushes as well as hedges. (max. dia. to be cut: 14 mm)
- For the best performance, hold the hedge trimmer with its teeth at an angle of approx. 15° to the hedge (see Figure 5).
- Cutting in both directions is possible with the counter-rotating dual-edge blades (see Figure 6).
- To trim your hedge to a uniform height, run a length of string along the hedge for guidance and cut off the projecting branches (see Figure 7).
- Cut the sides of the hedge with sweeping movements from the bottom up (see Figure 8).

9. Maintenance and cleaning

- Switch off the hedge trimmer and pull out its power plug before you put it down and clean it.
- For the best cutting performance at all times, clean and lubricate the blades at regular intervals. Remove deposits with a brush and apply a thin film of oil (see Figure 9).

Use bio-degradable oils.

- Clean the plastic housing and parts with a mild household detergent and a damp cloth. Never use aggressive agents or solvents.


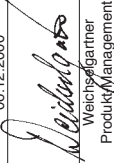
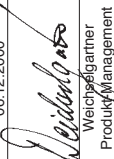
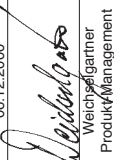
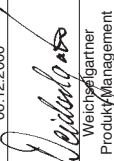
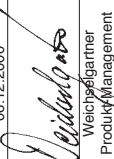
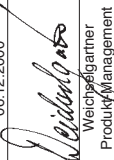
- Be particularly careful not to allow any water to get inside the machine.
- The supplied blade cover can be fastened to the wall. This is the best place to store your hedge trimmer.

10. Disposal

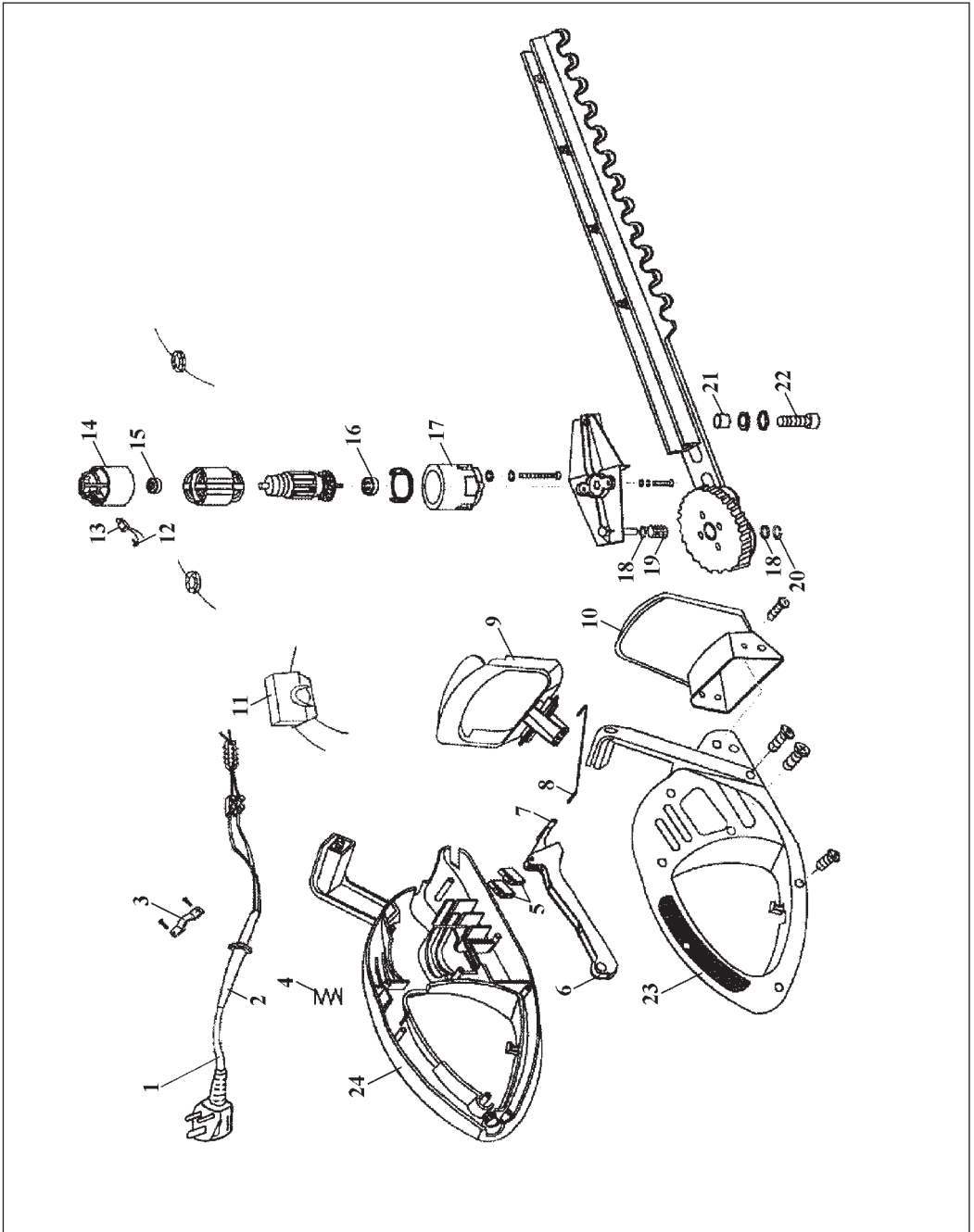
Important!

The hedge trimmer and its accessories are made of an assortment of materials, e.g. metal and plastics.

Defective components must be disposed of as special waste. **Do not throw in the household refuse bin!** Ask your dealer or local authority.

<p>(D)</p> <p>EG Konformitätserklärung Der Unterzeichnende erklärt im Namen der Firma</p>	<p>(GB)</p> <p>EC Declaration of Conformity The Undersigned declares, on behalf of</p>	<p>(F)</p> <p>Déclaration de Conformité CE Le soussigné déclare, au nom de</p>	<p>(DK)</p> <p>EC Overensstemmelseserklæring Undertegnede erklærer på vegne af firmaet</p>	<p>(E)</p> <p>Declaracion CE de Conformidad Por la presente, el abajo firmante declara en nombre de la empresa</p>	<p>(P)</p> <p>Declaração de conformidade CE O abaixo assinado declara em nome da empresa</p>
<p>ISC GmbH · Eschenstraße 6 · D-94405 Landau/Isar</p>					
<p>daß die</p>	<p>that the</p>	<p>que</p>	<p>at</p>	<p>que en/la</p>	<p>que</p>
<p>Maschine/Produkt</p>	<p>Machine / Product</p>	<p>la machine / le produit</p>	<p>maskine/produkt</p>	<p>máquina/producto</p>	<p>a máquina/O produto</p>
<p>Heckenschere</p>	<p>Hedge trimmer</p>	<p>Taille-haie</p>	<p>Hæksaks</p>	<p>Tijeras para setos</p>	<p>Tesoura para sebes</p>
<p>Marke</p>	<p>produced by:</p>	<p>du fabricant</p>	<p>mærke</p>	<p>marca</p>	<p>marca</p>
					
<p>Typ</p>	<p>Type</p>	<p>Type</p>	<p>type</p>	<p>tipo</p>	<p>tipo</p>
<p>EHT 500</p>					
<p>– Seriennummer auf dem Produkt – EG Maschinenrichtlinie 98/37EG mit Änderungen EG Niederspannungsrichtlinie 73/23 EWG EG Richtlinie Elektro-magnetische Verträglichkeit 89/336 EWG mit Änderungen entspricht.</p>	<p>– Serial number specified on the product - is in accordance with the EC Directive regarding machinery 98/37 EEC, as amended; EC Directive regarding low-voltage equipment 73/23 EEC; EC Directive regarding electromagnetic compatibility 89/336 EEC, as amended.</p>	<p>– no. série indiqué sur le produit correspond(ent) à la Directive CE relative aux machines 98/37 CEE avec les modifications y apportées; Directive CE relative aux basses tensions 73/23 CEE; Directive CE relative à la compatibilité électromagnétique 89/336 CEE avec les modifications y apportées.</p>	<p>– Seriennummer på produktet - oplyder EU-maskinedirektiv 98/37EØF med ændringer EU-uvspændingsdirektiv 73/23/EØF EU-direktiv vedr. elektromagnetisk støj (EMC) 89/336/EØF med ændringer.</p>	<p>– No. de serie en el producto; satisface las disposiciones pertinentes siguientes: Disposición de maquinaria de la CE 98/37/CEE con modificaciones Disposición de baja tensión de la CE 73/23 CEE Disposición de la compatibilidad electro-magnética de la CE 89/336 CEE con modificaciones.</p>	<p>– cujo número de série encontra-se no produto - conspõe a Directiva da CE de máquinas 98/37/CEE, com alterações Directiva da CE de baixa tensão 73/23 CEE Directiva da CE de compatibilidade electro-magnética 89/336 CEE, com alterações</p>
<p>EN 50144-1 ; EN 50144-2; ISO 3744; ISO 11201 ; EN 55014; EN 60555-2; EN 55104</p>					
<p>Landau/Isar, den 06.12.2000</p>  <p>Weichs/gartner Produkt/Management</p>	<p>Landau/Isar, (date) 06.12.2000</p>  <p>Weichs/gartner Produkt/Management</p>	<p>Landau/Isar, (date) 06.12.2000</p>  <p>Weichs/gartner Produkt/Management</p>	<p>Landau/Isar, datum 06.12.2000</p>  <p>Weichs/gartner Produkt/Management</p>	<p>Landau/Isar 06.12.2000</p>  <p>Weichs/gartner Produkt/Management</p>	<p>Landau/Isar 06.12.2000</p>  <p>Weichs/gartner Produkt/Management</p>

Pos.	Beschreibung	Ersatzteilnr.
01	Power cable	34.035.00.12
02	Anti-kinksleave	34.034.20.01
03	Cable grip	34.034.20.02
04	Compression spring	34.034.20.03
05	Micro - switch (big)	34.035.22.01
06	Actuating lever	34.035.22.02
07	Actuating element	34.035.22.03
08	Wire clip	34.035.22.04
09	Rocker switch	34.035.22.05
10	Handguard	34.035.22.06
11	Capacitor	34.034.20.10
13	Carbon brush, complete	34.035.22.07
14	Micro - switch (small)	34.035.22.08
15	Motorhousing, right	34.035.22.09
16	Motorhousing, left	34.035.22.10
17	Blade cover	34.035.10.01
not illus.	Housing cover, bottom	34.035.22.11



WARRANTY CERTIFICATE

The guarantee period begins on the sales date and is valid for 1 year.

Responsibility is assumed for faulty construction or material or functional defects.

Any necessary replacement parts and necessary repair work are free of charge.

We do not assume responsibility for consequential damage. Your statutory rights are not affected.

Your customer service partner